

YPDA系列三螺杆泵

YPDA系列三螺杆泵的诞生是源于市场对噪音低、可靠性高及小流量泵的需求，首先由SEIM创造出来，并且提出了三螺杆泵的独有特性，而且获得了专利。

与容积式泵（齿轮泵和叶片泵）相比，螺杆泵的低噪音水平使其市场的占有率很大，并且处于领导地位。



THREE SCREW PUMP YPDA SERIES

YPDA Series was born by SEIM capability in answering by market demand about reliable and silent pumps for small medium flow rates, but provided with characteristics whose screw pumps only can grant.

Compared to same displacement pumps (either gear or vane pumps), low noise level for YPDA Series benefit SEIM for larger acknowledgement by market segments where such pumps previously dominate

serie
YPDA



当SEIM开始生产制造气油热交换器时，YPDA系列螺杆泵首先就被安装上，这也是使其以低噪音和长周期无故障自由运转而获得专利的主要原因。

每年数千台YPDA系列泵广泛应用于世界范围内的许多不同领域就是对其产品使用性能的最好证明。

YPDA应用于不同的领域（用于吸收流体脉动，例如航空等等），许多时候应用在安全阀门上，用其控制大流量和高转速。

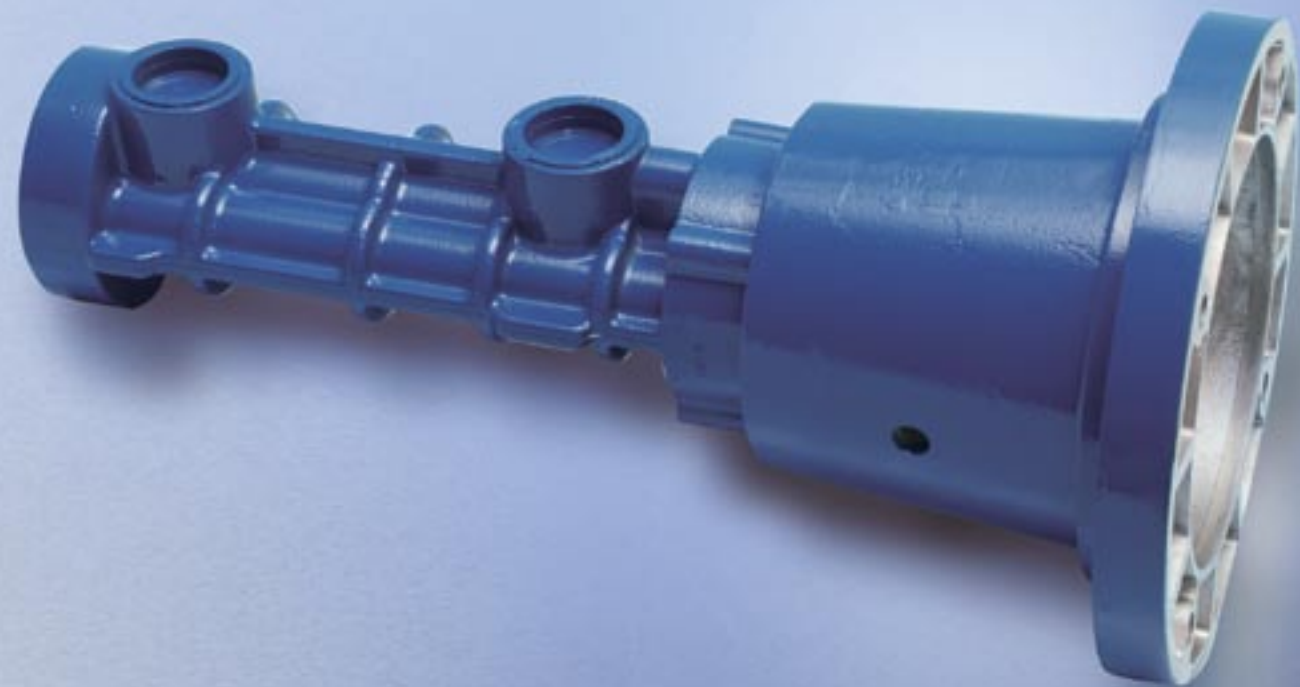
由于我们产品的领先品牌和对产品100%的出厂最终测试，使得我们的客户对我们产品质量有一个长期而可靠的信赖。

Since when SEIM started manufacture for air oil heat exchangers, YPDA Series is installed into, granting reliability, low noise level and long term maintenance free operation.

What can be better guarantee than thousands YPDA pumps installed successfully every year by leading OEM worldwide in most different market segment?

YPDA is available in different versions (also for pumping fluid with peculiar characteristics, like but not limited to aeronautic) most requested is with built-in safety valve version, which grant full flow discharge even at highest driving speed.

Use for Leading brands components and a 100% final test on our Products grant our Customers a long term and reliable operation.



性能参数-Main characteristics

输出流量 <i>Delivery flow</i>	21--160L/min 21 to 160 LPM [5,5 to 42,2 USGPM]	
最高连续工作压力 <i>Admissible delivery pressure *</i>	10bar up to 10 bar [145 psi]	有特殊要求请联系我们 For different values contact SEIM
吸入压力 <i>Admissible suction pressure</i>	-0.4--2bar -0,4 to 2 bar [-5,8 to 29 psi]	有特殊要求请联系我们 For different values contact SEIM
适用粘度 <i>Kinematics viscosity</i>	20--400cSt 20 to 400 cSt	有特殊要求请联系我们 For different values contact SEIM
介质工作温度 <i>Admissible temperature</i>	0--100 0 to 100 °C [32 to 212 °F]	有特殊要求请联系我们 For different values contact SEIM
转速 <i>Driving speed</i>	750--3600rpm 750 to 3600 rpm	
平均噪音值 <i>Average noise level</i>	56-62dB，在2900r/min的时候测得 56 ÷ 62 dB(A) at 2900 rpm according to pump dimension	
过滤精度 <i>Recommended filtration</i>	过滤精度 60 μ，油液中不含磨损污染物 60 micron max, suction side (not abrasive contaminant)	
旋转方向 <i>Direction of rotation</i>	从轴端看为顺时针 Clockwise, as seen from the driving side	

压降取决于油液的粘度和泵的转速，特性参数见图表
Reduced pressure limits apply due to fluid viscosity and driving speed
Consult the performance charts for the individual pump size

如有特殊要求，请联系我们的销售部门。
For different functional characteristics, please contact our sales department

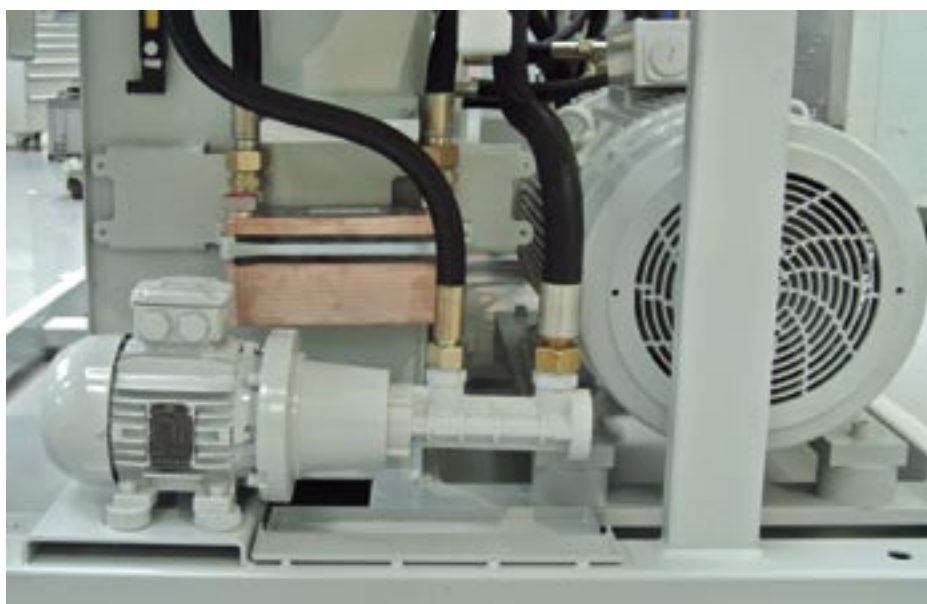
根据使用情况来看，小流量泵的使用量也不少，YPDA三螺杆泵有很多优点，例如：

- 1、很低的噪音
- 2、液压脉动很小
- 3、自吸能力强
- 4、不易混入空气，易于操作
- 5、能够有效的阻止污染物进入管路中
- 6、维护费用非常少

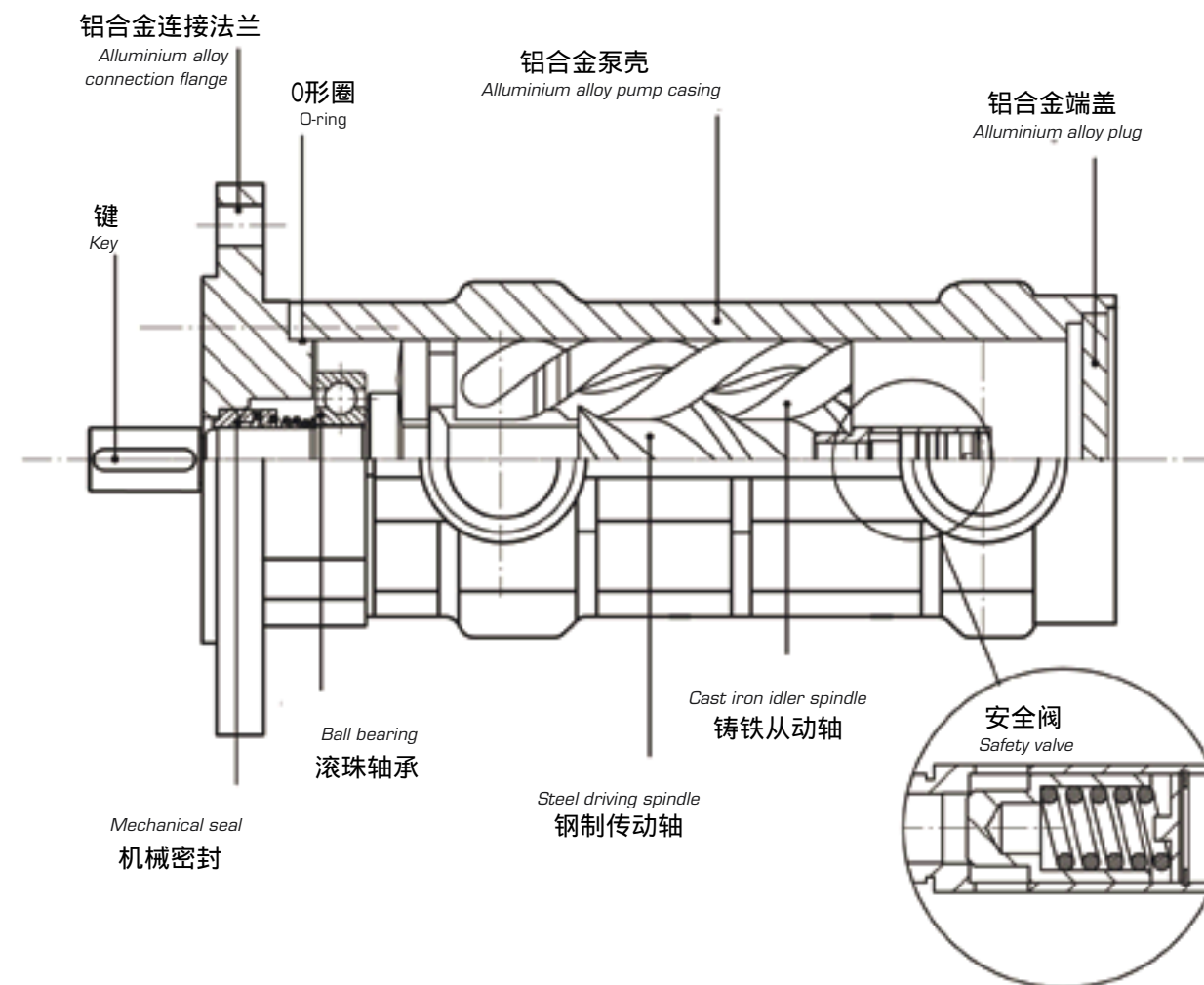
SEIM同时还提供钟形罩，联轴器，电机以及其他辅件等。

Small flow rates is not synonymous for "little performances": SEIM can ensure that PDA pumps features all benefits by using our three screw pump. It is demonstrated!

In detail:
 very low noise level
 very low pulsation in to the pumped media
 high self priming capacity
 optimal performances also when air entrapped occur
 no pollutant releases into the pumped media
 low maintenance
 SEIM supply can include bell housing and coupling, as well as electrical motor and other accessories.



结构视图 - Section and components



泵选型说明 - Pump Code explanation

	YPDA	032	#	2	A	0	1	D05	D01	00
系列代码 Series identification										
泵的螺杆直径 Pump main screw diameter 029 032 040										
螺线数2 Number of leads 2										
螺距A、B Screw lead length A B (C where applicable)										
联接法兰 O代表ISO标准法兰，L代表国际电工标准 IEC 80-90 Motor connection flange O= std ISO flange - L = integrated bellhousing for motor IEC size 80-90										
安全阀：1=带安全阀，2=不带安全阀 Built-in relief valve 1 = included - 0 = not included										
密封形式：D05标准密封 Seal type D05 = std - pother digits apply										
泵体标准：D01 Pump body execution D01 = std										

Options

SEIM泵始终采用钟形罩和联轴器结构，尽管有的产品尺寸很小，因为大家都知道在冷启动或是高粘度甚至是更高转速的时候，机械密封是最好的方式。

我们以及我们的销售网络将会为客户提供最好的服务。

SEIM choice is to always use bell housing and coupling, even in smallest pump sizes: this is because the use for mechanical seal, worldwide recognized as the most reliable component either in "standard" operating conditions, as well as cold starts or high viscosity oils or highest driving speeds occur. SEIM and our Sales Network are at your fully disposal for further details.

典型应用
 润滑系统：
 齿轮箱润滑
 机床润滑
 压缩机润滑
 固定或是手动的冷却过滤系统

Typical applications
 Lube systems:
 • gear boxes
 • machine tools
 • compressors
 • stationary or mobile off-line cooling and filtration systems.

YPDA系列产品的性能图在24页
 At page 24 performance chart of YPDA series

说明书和文件材料

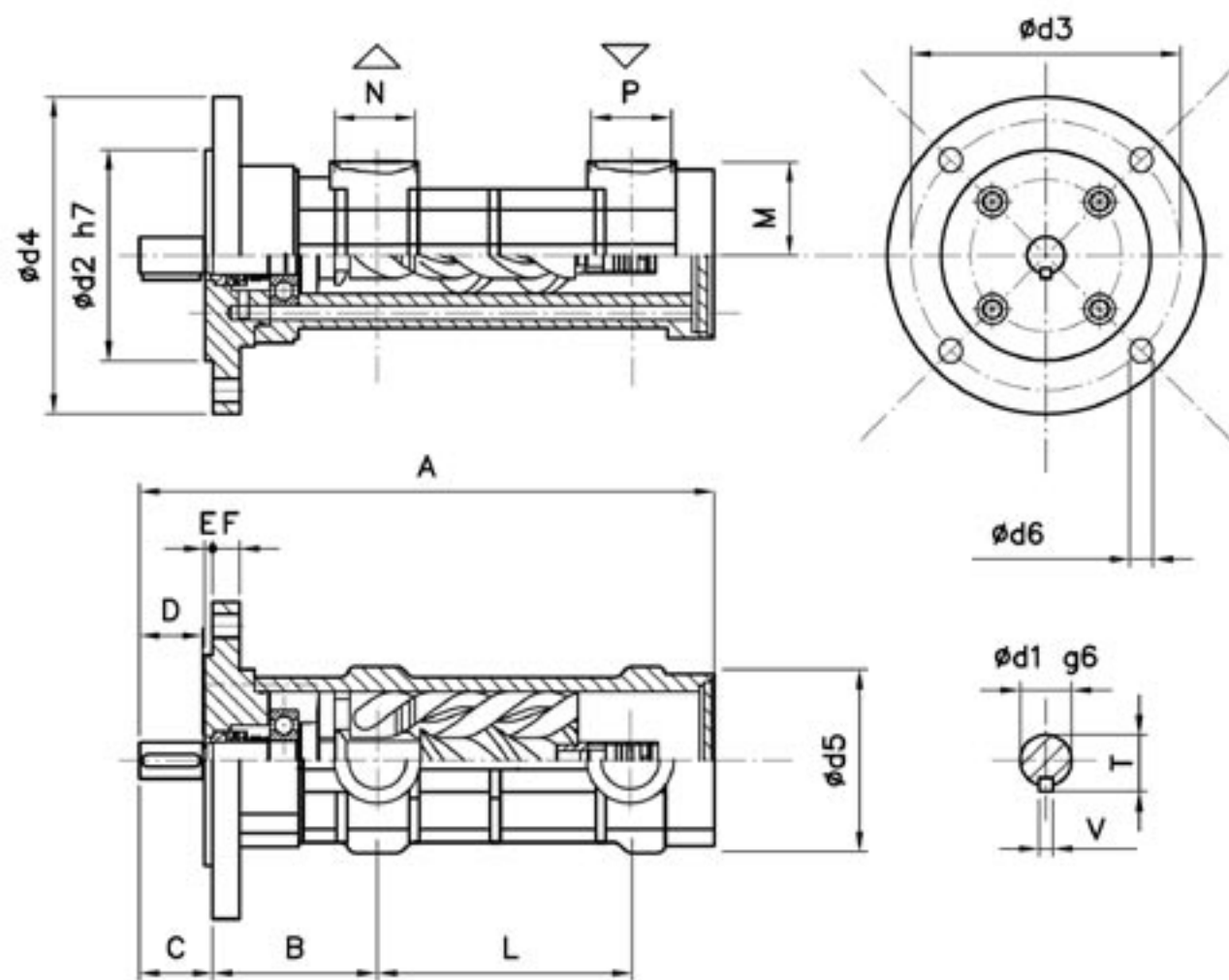
YPDA系列提供了详细的安装说明，以指导安装和维护，安装说明也可以通过网站下载，下载地址：www.seim.it
如果需要材质检测报告或是特殊的文件证明，则需要另外付款

Manuals and documentation

YPDA Series supplies include multi-lingual full instruction manual for installation, use and maintenance (also available for download at : www.seim.it).

Are available on demand test and mill material certificates, and further specific documentation and declarations.

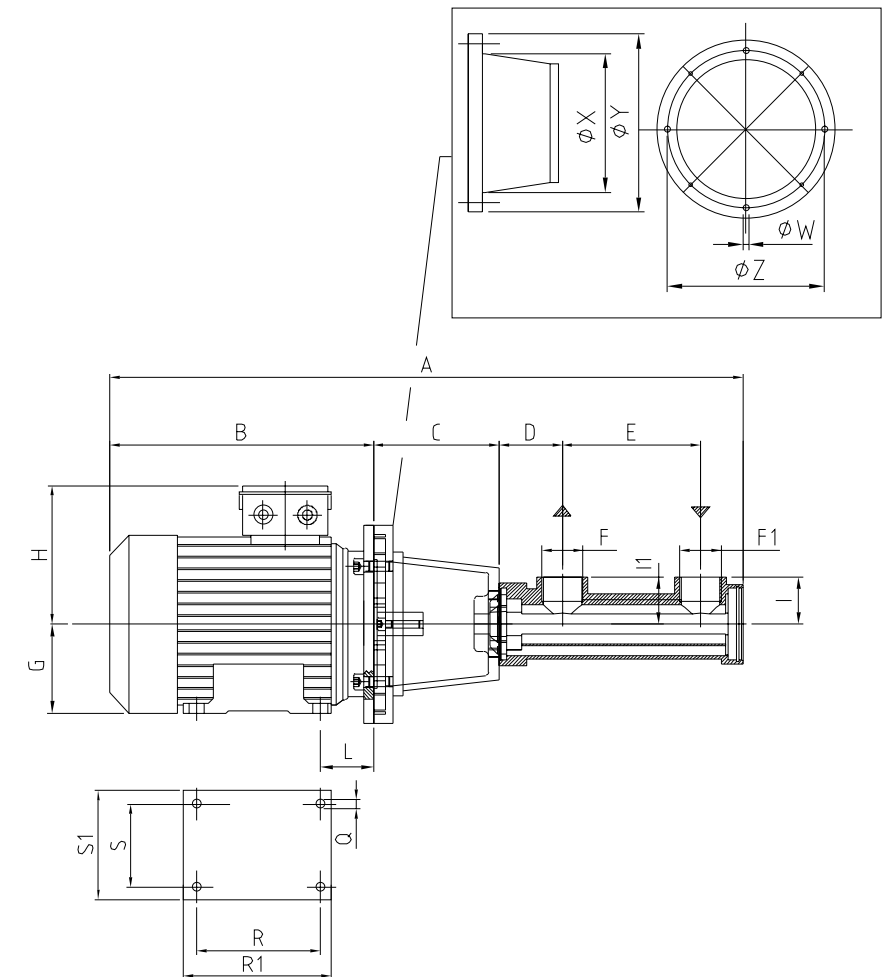
结构视图 - Bare shaft pump dimensional



尺寸列表 (mm) - Dimensional chart (mm)

型号 SIZE	A	B	C	D	E	F	L	M	N	P	T	V	d1	d2	d3	d4	d5	d6
YPDA029#2..01	278	82	42	35	5	14	122	44	1"	1"	21,5	6	19	100	125	150	95	11
YPDA032#2..01	300	82	42	35	5	14	140	48	1 1/4"	1 1/4"	21,5	6	19	100	125	150	95	11

油泵机组 - Motor pump assembly dimensions



YPDA	电机 Motor	A	B	C	D	E	F	F1	G	H	I	I1	L	Q	R	R1	S	S1	W	X	Y	Z
029	71A-71B	562	220	98	82	122	1"	1"	71	120	44	44	45	7	90	109	112	150	9	110	160	130
	80A-80B	608	255	127	64	122	1"	1"	80	145	44	44	50	10	100	126	125	165	11	145	200	165
	90S	618	265	127	64	122	1"	1"	90	155	44	44	56	10	100	130	140	180	11	145	200	165
	90L	643	290	127	64	122	1"	1"	90	155	44	44	56	10	125	155	140	180	11	145	200	165
	100L	705	325	136	82	122	1"	1"	100	180	44	44	63	12	140	172	160	205	14	190	250	215
032	112M	720	340	136	82	122	1"	1"	112	190	44	44	70	12	140	176	190	230	14	190	250	215
	80A-80B	608	255	127	64	122	1"	1"	80	145	44	44	50	10	100	126	125	165	11	145	200	165
	90S	618	265	127	64	122	1"	1"	90	155	44	44	56	10	100	130	140	180	11	145	200	165
	90L	643	290	127	64	122	1"	1"	90	155	44	44	56	10	125	155	140	180	11	145	200	165
	100L	705	325	136	82	122	1"	1"	100	180	44	44	63	12	140	172	160	205	14	190	250	215
040	112M	720	340	136	82	122	1"	1"	112	190	44	44	70	12	140	176	190	230	14	190	250	215
	132SA-132SB	789	390	155	82	122	1"	1"	132	210	44	44	89	12	140	176	216	270	14	234	300	265
	80A-80B	629	255	127	64	140	1 1/4"	1 1/4"	80	145	48	48	50	10	100	126	125	165	11	145	200	165
	90S	639	265	127	64	140	1 1/4"	1 1/4"	90	155	48	48	56	10	100	130	140	180	11	145	200	165
	90L	664	290	127	64	140	1 1/4"	1 1/4"	90	155	48	48	56	10	125	155	140	180	11	145	200	165
100L	726	325	136	82	140	1 1/4"	1 1/4"	100	180	48	48	63	12	140	172	160	205	14	190	250	215	
	112M	741	340	136	82	140	1 1/4"	1 1/4"	112	190	48	48	70	12	140	176	190	230	14	190	250	215
132SA-132SB	810	390	155	82	140	1 1/4"	1 1/4"	132	210	48	48	89	12	140	176	216	270	14	234	300	265	

注：黑体字=带钟形罩 Note: Bold=BELL HOUSING INCLUDED

 <p>全面液压产品</p>	 <p>齿轮分流马达/泵</p>	 <p>柱塞分流马达</p>
 <p>液压阀/手动泵</p>	 <p>摆动油缸</p>	 <p>螺杆泵/机床高压冷却泵/流量计</p>
 <p>减速机/液压马达</p>	 <p>变量叶片泵</p>	 <p>摆线马达 变量柱塞泵/马达</p>
 <p>多路阀</p>	 <p>测压接头/测压软管</p>	 <p>防脉动消声器</p>
 <p>柱塞/隔膜/皮囊蓄能器</p>	 <p>水压泵/马达/阀及连接件</p>	 <p>润滑/输送/计量齿轮泵</p>
 <p>压力开关</p>	 <p>压力开关/传感器</p>	 <p>冷却与润滑</p>

上海华歌实业有限公司

地址：上海市闵行区广通路 58 号 C 楼 905 室（莘建东路口）（绿地科技岛广场）

Tel: 021-51876860/54172242/54175213 Fax: 021- 64130300 邮编: 201100

北京办事处：海淀区西三旗桥北金燕龙大厦 507 室（邮政地址：8228#）

Tel: 010-51261080/62714842/62714749/62714782 Fax: 010-62718801 邮编: 100096

Http: // www.sh-hugo.cn

E-mail: gyh676@vip.163.com gyh676@hotmail.com